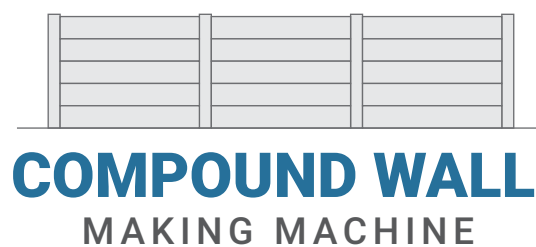
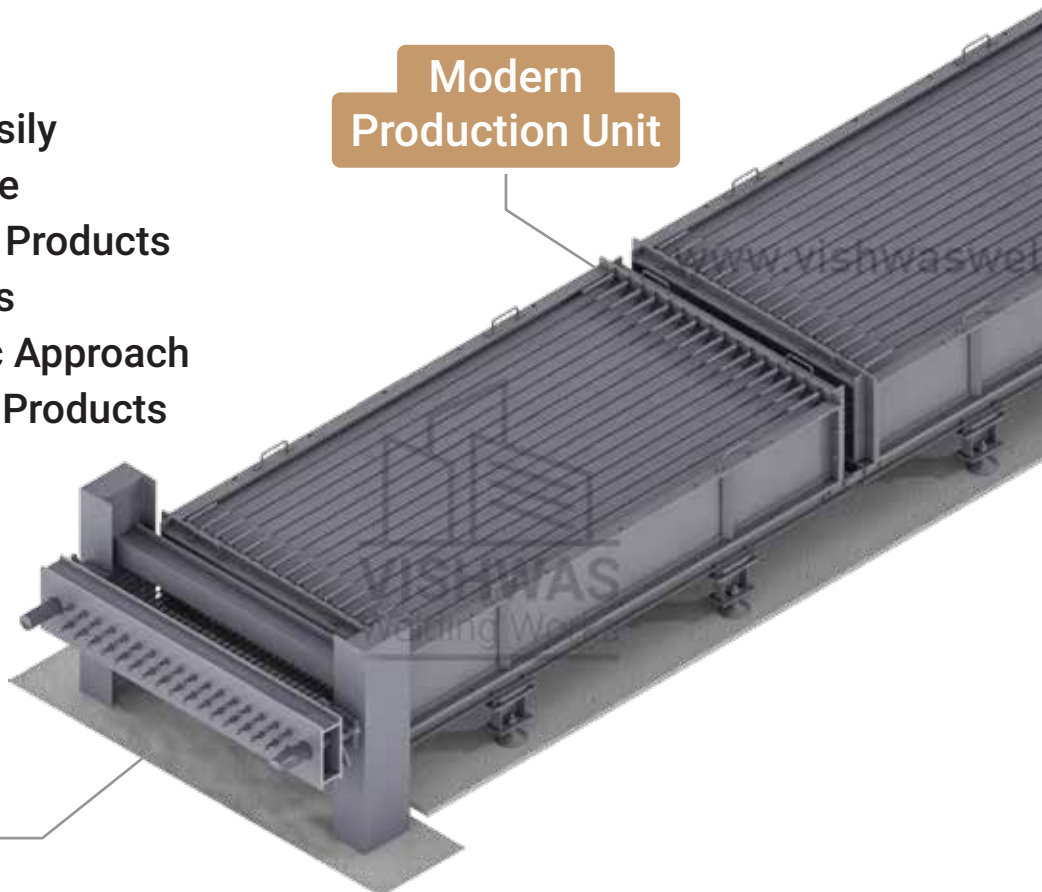


COMPOUND WALL MOULD

Advance Construction Material and Machinery



- ▶ Excellent finish
- ▶ Can be moved easily
- ▶ Diligent Workforce
- ▶ Quality-Approved Products
- ▶ Competitive Rates
- ▶ Customer-Centric Approach
- ▶ Quality Approved Products
- ▶ Timely Delivery



Call For More Info: 99742 47244

Plot No.-36, Vegadi(G.I.D.C), Jamkandorana Road, Dhoraji, Rajkot 360410

Concrete Wall Fence /concrete Fence Pilar Mold/walls Precast

Incorporated In The Year 1992, We, "Vishwas Welding Works", Are Leading Manufacture And Trader Of A Wide Range Of Compound Wall And Machineries. Some Of Our Offered Products Are Precast Wall Mould, Precast Airport Chamber Moulded, Fencing Pole Line Mold, Precast Drain Mold, Railway Boundry Moulded, Etc.

Box Panel Moulded (Pretress)

ONE BOX PANEL PRODUCTION 17 PIECE



- Size: 7ft x 1ft
- Thikness: 47mm To 50mm
- Customizable Size
- Also Available with Hydraulic

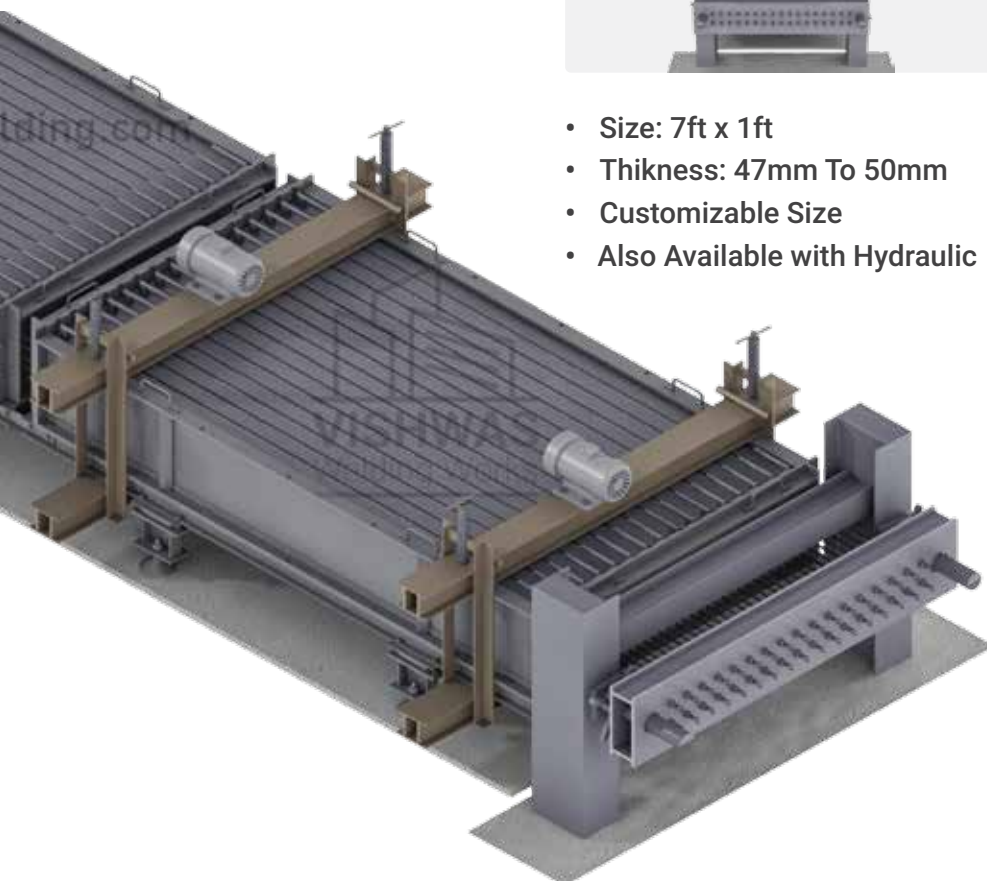
Materials used: **Panel Mould**

50x100 MM C Channel

5 MM Plate

Bright Bar

12 MM Plate



Our Company Manufacturing Different Size, Designs and a Wide Variety of Excellent Models in Various High-quality Materials. We Support Our Customers to Build the Strongest Mould Product in Lifelong Good Quality, So Only We Are Leading Mould Product Manufacturers and Suppliers in World.



Prestress Line Moulded

ONE LINE PANEL PRODUCTION 30 PIECE

- Size: 7ft x 1ft
- Thickness: 50mm
- Customizable Size
- Also Available with Hydraulic

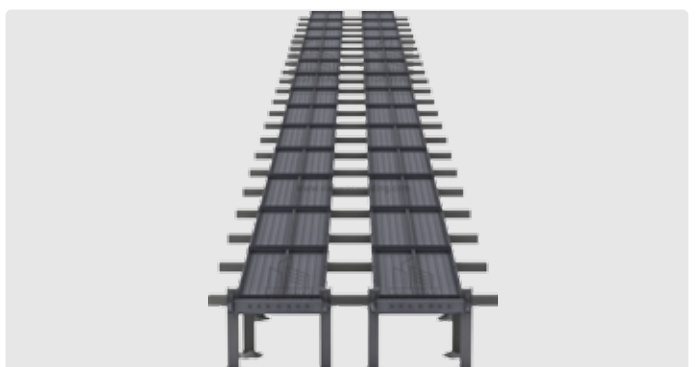
Materials used: Line Mould

50x50x6 MM Angle

04 MM Plate

12 MM Plate

05 MM Plate



Applications

- Farm/Garden
- Cover to highway
- Factory buildings
- Office buildings
- Schools & Hospitals

Prestress Line Moulded Pole

ONE LINE POLE PRODUCTION
26 PIECE



- Size: 5ft to 14ft
- Thickness: 150mm to 150mm
- Customizable size
- Also Available with Hydraulic

Materials used: Pannel Mould

50X50X6 MM Angle

4 MM Plate

3 MM Plate



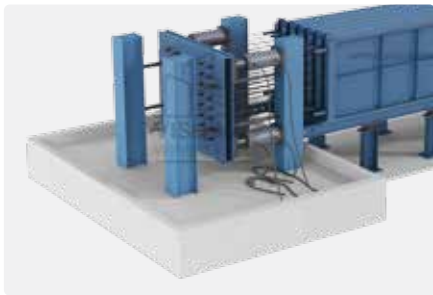


• New Product

Box Panel Moulded (Hydraulic)

ONE BOX PANEL PRODUCTION 06 PIECE

- Size: 10ft x 3ft
- Thickness: 75mm
- Customizable Size



It's use National highway



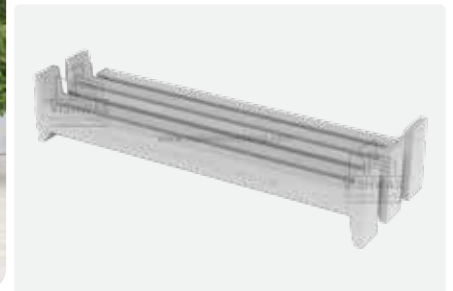
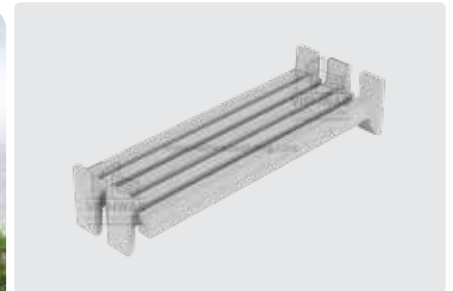
Applications

- Farm/Garden
- Cover to highway
- Factory buildings
- Office buildings
- Schools & Hospitals

Cement Material Trolley



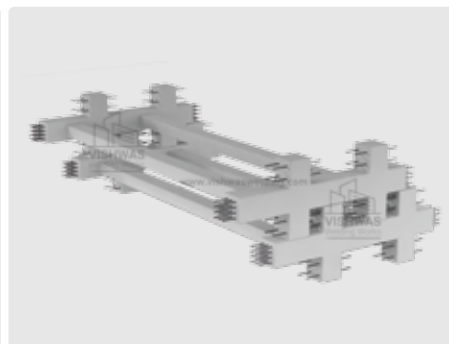
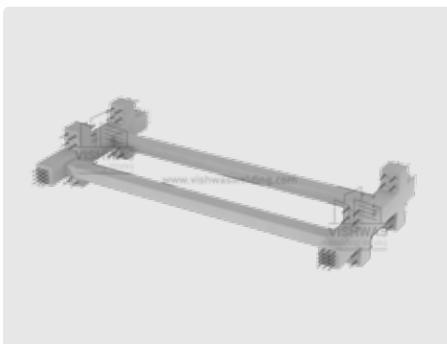
BIG HIGH WALL



- Height: 34 ft
- Brick Design Wall with Foundation
- Compound wall installed in Reliance Zoo, Jamnagar, in 200 acre

H-FRAME MOULED

H-SHAPED PRECAST
CONCRETE ELEMENTS.



It's use Petroleum
refineries



• New Product

Box Culvert



Box Culvert is a reinforced concrete structure used as drainage under the road work. In other words, It is a small structure of less than 6m span between faces of abutments. On the other hand, minor bridge, if the length of the span is greater than 6m.

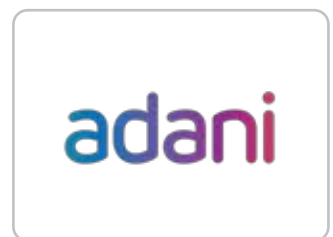
It is a rigid frame structure and simple in construction. So, It is Suitable for non-perennial streams where scrub depth is not significant but the soil is weak. However, due to the strength of the concrete floor, water direction can be changed when a large amount of water is expected.

Centerline Fixing. Firstly, The place where the culvert exists shall be located and the center line shall be marked with the help of Total station or electronic



- Theodolite. ...
- Setting Out. ...
- Original Ground Levels. ...
- Excavation. ...
- Sand Filling. ...
- Levelling Course. ...
- Abutment Footings/Raft. ...
- Abutment Walls/Side Walls.

OUR HAPPY CLIENTS



ACCESSORIES



Panel Lifting Tractor Trolley



Panel Lifting Trolley



Cement Material Trolley



Vibrator



Wire Dacthing Tools



Tenson Screw



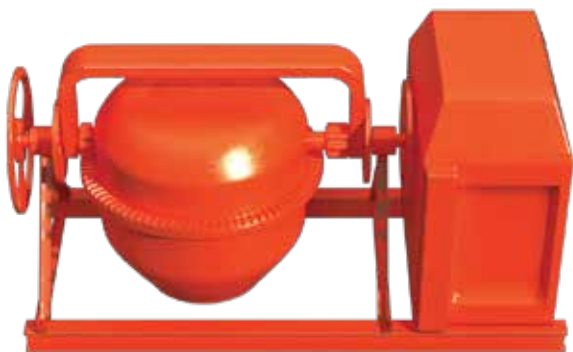
Tar Tenson
Coan Pin



Wire Cutting Scissors



Nut Bolt Opner



Mixer Machine



Precast Polishing Tools



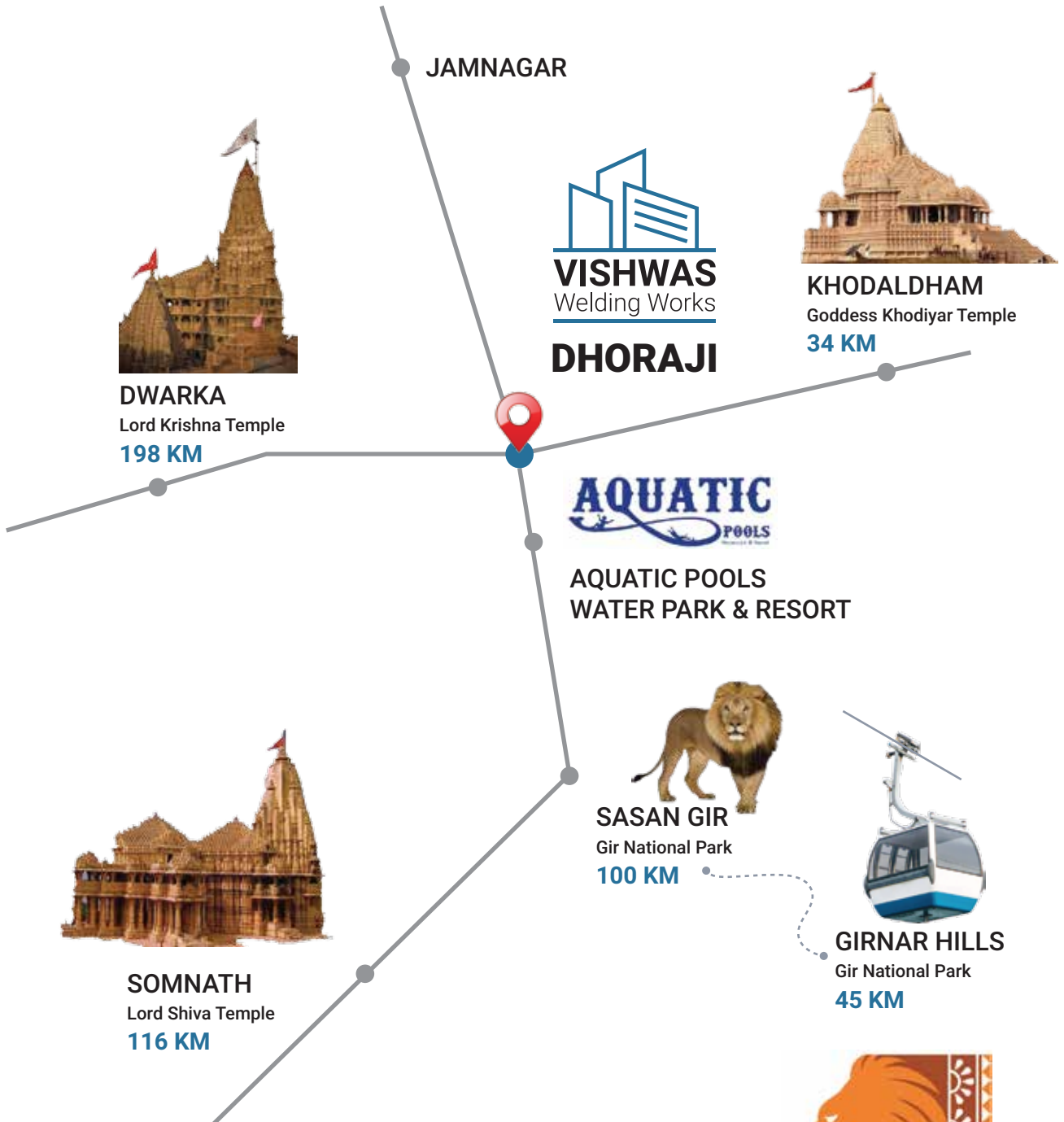
Precast Polishing Tools



Shovel

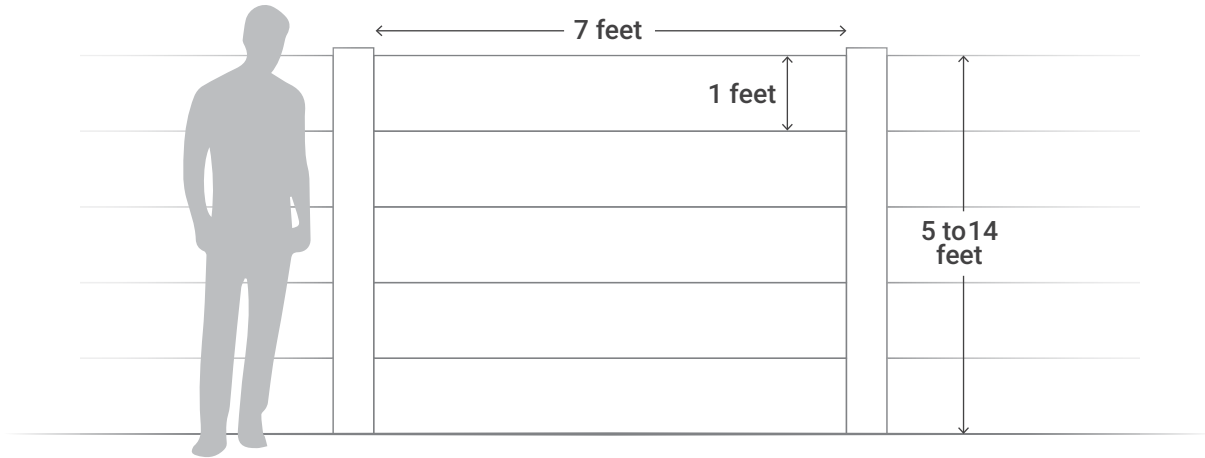


Nearest Popular Places





Available Sizes



LINE MOULDED PRODUCTION WALL
(HORIZONTAL)



PANEL PRODUCTION WALL
(VERTICAL)